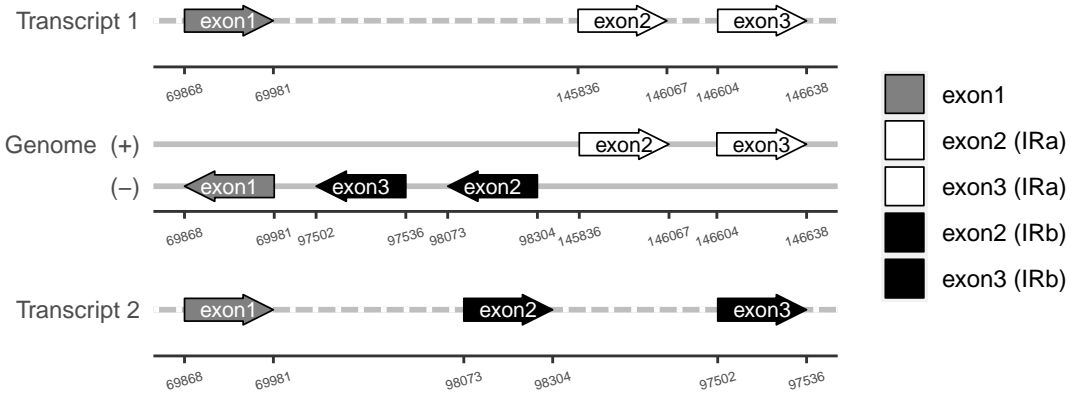


Trans-splicing Genes



- exon1
- exon2 (IRa)
- exon3 (IRa)
- exon2 (IRb)
- exon3 (IRb)